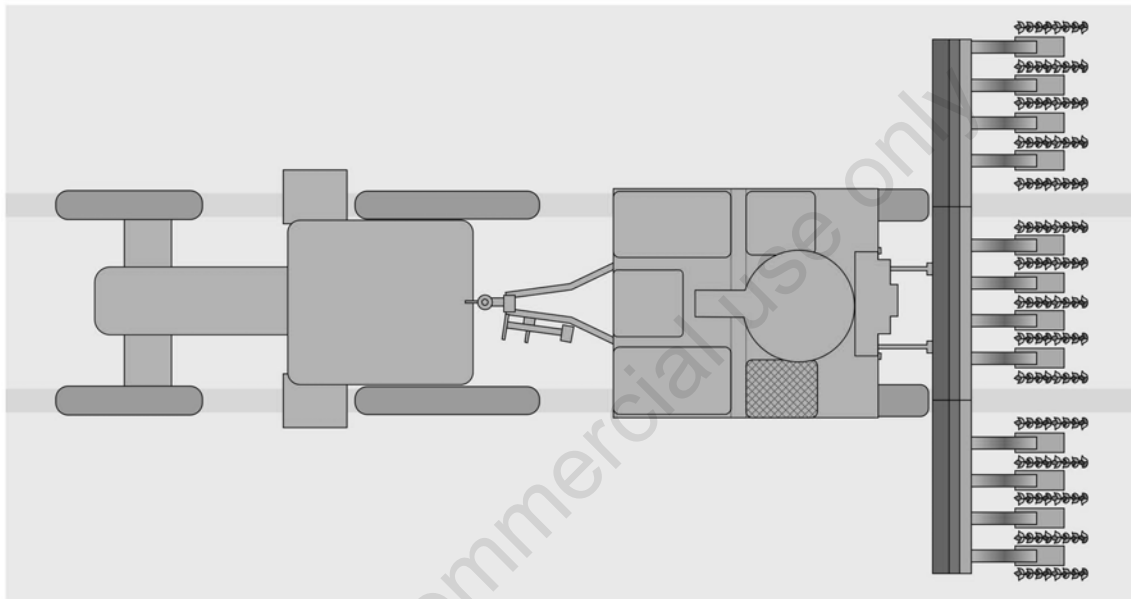
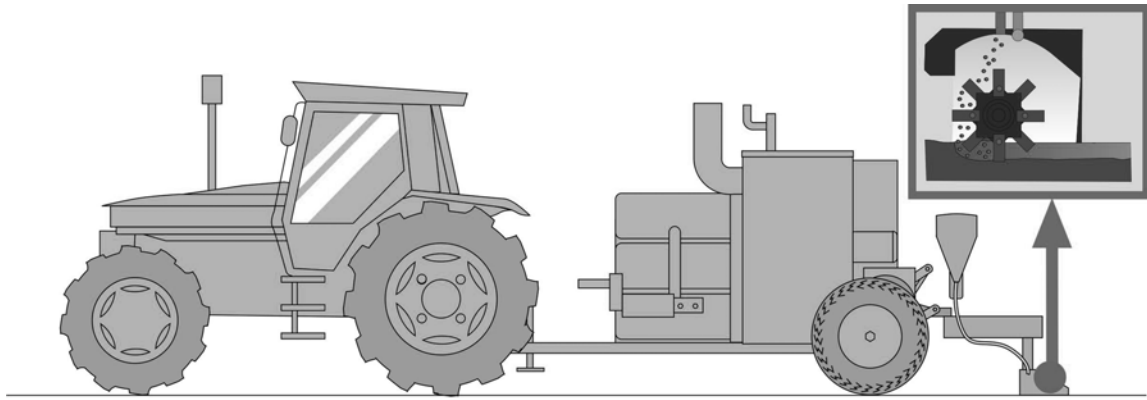


Appendix

Machines for non-chemical intra-row weed control in narrow and wide-row crops: a review

Andrea Peruzzi, Luisa Martelloni, Christian Frasconi, Marco Fontanelli, Michel Pirchio,
Michele Raffaelli

Non-commercial use only



Appendix Figure 1. The band-steaming prototype: front and top view, and detail of the steam plus CaO distribution system.



Appendix Figure 2. Finger-weeders operating in transplanted tomatoes.

Non-commercial use only



Appendix Figure 3. Cross-flaming application in maize at an early growth stage. Authors acknowledge ASABE as the source of the figure, which is taken from Martelloni *et al.*, 2016a.
